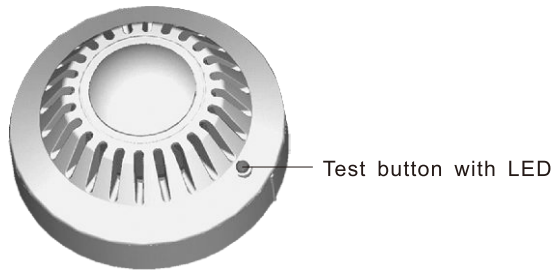


FS 16WRD WIRED SMOKE SENSOR



The FS 16WRD detects smoke and wired transmits a signal to a receiver (control panel). It also has a built in buzzer to warn people in the immediate vicinity. For testing purposes the detector is equipped with a testing button. The detector makes regular auto testing and reports its condition to the system regularly for full supervision. The LED indicator can be turn on/off upon your requirement.

Specifications

power 12 VDC

current: static 2mA-5mA, alarm 20mA

working environment indoor use , -5 to +50°C humidity 10%-90%

self test indication: red LED turn on then buzzer sound 2 times

LED alarm indication: Jumper ON, LED ON; Jumper OFF, LED OFF.

Installation

The detector should be installed on the proper place, with the distance from walls 0.6 m as a minimum. The detector should not be installed in a place with poor air circulation. If you install the FS 16WRD in a large space, install at least two detectors. A detector can cover an area of about 50 m³ of free space (no partitions). The detector should not be installed close to any fan, heating/cooling vent, fluorescent lamp or air ionizer. The FS 16WRD is not suitable for places with a high concentration of paint solvents or car exhausts (fumes).

Note: the detector can also be triggered by heavy cigarette smoke or fumes from cooking.

Open the cover of the detector (press it from both sides up to the lines on the housing. see the picture)

Attach the rear panel with the two provided screws to the desired location. Tighten the screws firmly, being sure that the panel is not crooked.

Study the installation manual of the receiver unit (control panel) to learn how to enter the enrolling mode to enroll the detector.

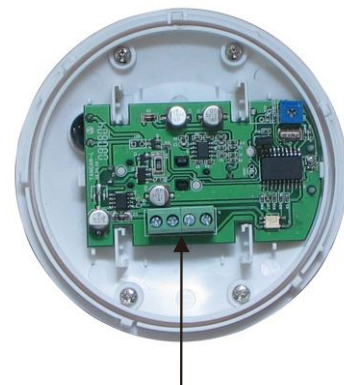
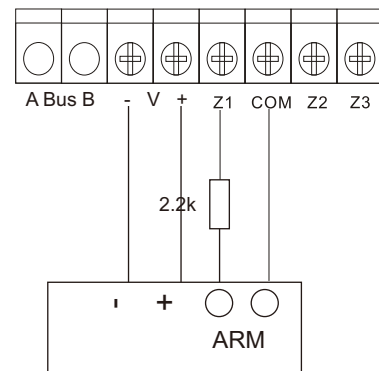
The FS 16WRD will transmit an enrollment signal and its buzzer will make a sound. From this moment the detector is ready to work. Now the LED will flash once in each minute.

Attach the detector's front cover to the rear panel so that both tabs click. Check that the detector is fixed firmly.

Press and hold the testing button, the red LED will turn on and the buzzer will sound twice. Also we can use the smoke to test it. When smoke is detected, the detector will start an alarm (buzzer&reply). After the smoke concentration drops, the detector will go to stand by mode again.

Connection

Control Unit / Smart server



Wire Terminal